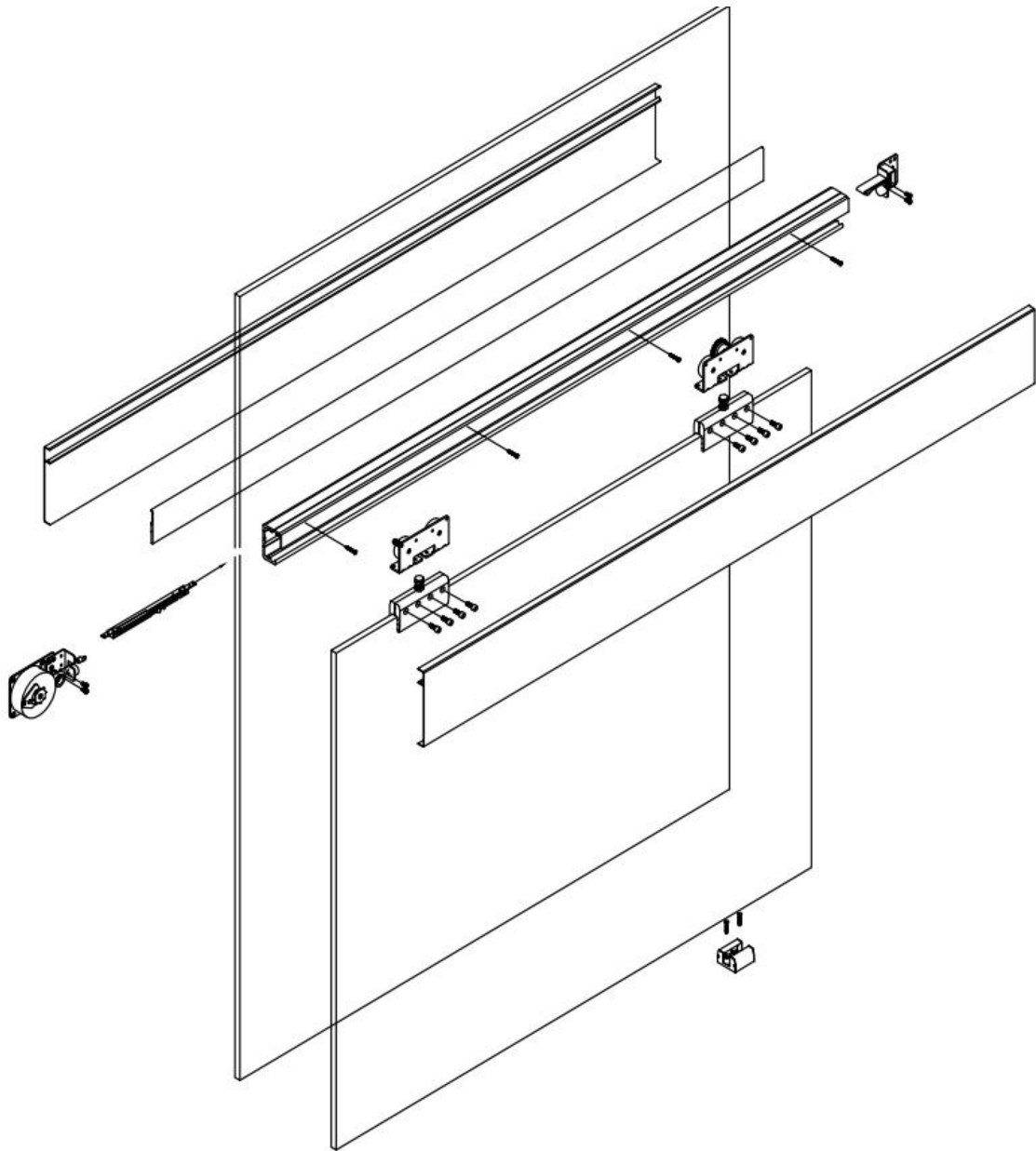


Deren Door Division

Self-close sliding door installation instruction
DRM80Q

Deren Door Division



Product features:

1. Manually open easily and close automatically. Adopts traction coiling automatic technology, quietly close, automatic and adjustable.
2. Simple construction, easy assemble. Each part is well-designed, Easily install and disassemble.
3. Flexibility for different doors, easy to change open direction
4. Stable performance: high quality assures stable performance, the door closes with stable speed.
5. No power supply needed: When the door is fully opened, it will be fixed and keep open on demand, If not, the door will close automatically.

Deren Door Division







Model	Max. door width LH (mm)	Guide L(mm)	Decorative cover	Hole spacing L1(mm)
DRM80Q-G800	800	1490		400
DRM80Q-G1000	1000	1890		400
DRM80Q-G1200	1200	2390		400
DRM80Q-G1500	1500	2890		400
DRM80Q-W800	800	1490		400
DRM80Q-W1000	1000	1890		400
DRM80Q-W1200	1200	2390		400
DRM80Q-W1500	1500	2890		400

Remark: DRM80Q-G is for glass door, DRM80Q-W is for wooden door

Specifications







Model	DRM80Q-800	DRM80Q-1000	DRM80Q-1200	DRM80Q-1500
Installation type	Optional surface installation or concealed installation			
Initial hand thrust	<20N			
Working temperature	-30℃-50℃			

Parts configurations for glass door


Picture	Parts name	Qty.	Part No.
	Pulley	2	DRM80QG1
	Glass clamps	2	DRM80QG2
	Floor guide	1	DRM80QG3
	Screw	2	DRM80QG4
	Adjust spanner wrench	1	DRM80QG5
	Fixed screw	1	DRM80QG6

Deren Door Division


Parts configurations for wooden door

Picture	Parts name	Qty.	Part No.
	Pulley	2	DRM80QG1
	Glass clamps	2	DRM80QG2
	Floor guide	1	DRM80QG3
	Screw	2	DRM80QG4
	Adjust spanner wrench	1	DRM80QG5
	Fixed screw	1	DRM80QG6


One way gear damping devices

Picture	Parts name	Qty.	Part No.
	One way gear damping device	1	DRM80QG7
	Rack		DRM80QG8

Buffer accessory (Options)



Picture	Parts name	Qty.	Part No.
	Buffer accessory	1	A02

Locking device:

Picture	Parts name	Qty.	Part No.
	Stopper	1	DRM80QG11

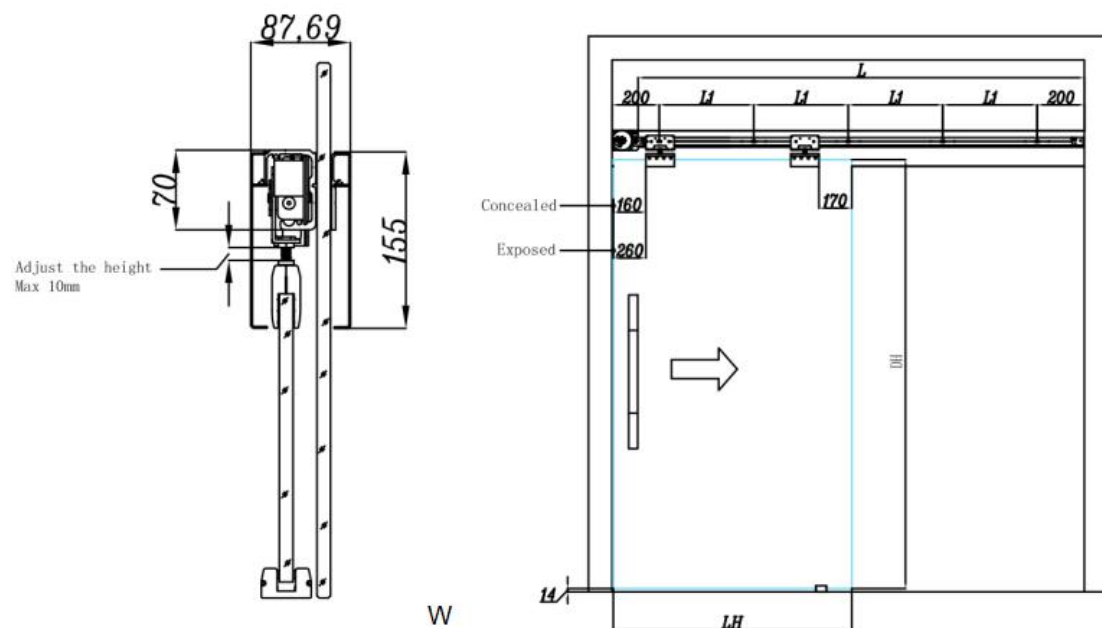
Deren Door Division

Driving spring accessory:

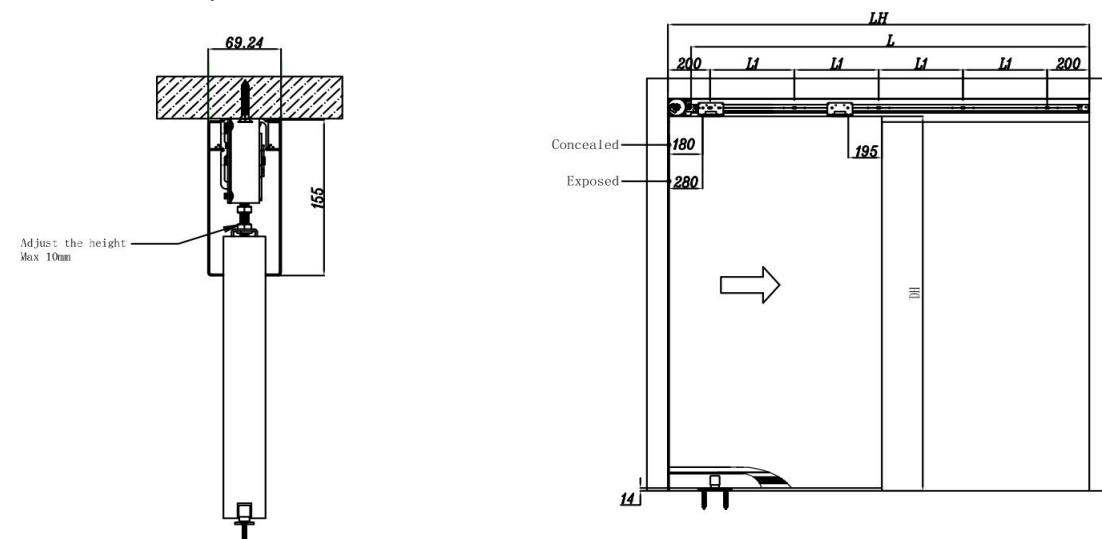
Picture	Parts name	Qty.	Part No.
	Exposed driving spring box	1	DRM80QG9
	Concealed driving spring box	1	DRM80QG10

Installation type:

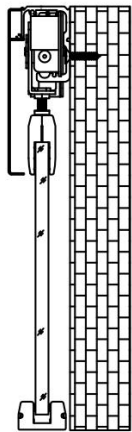
Glass door installation



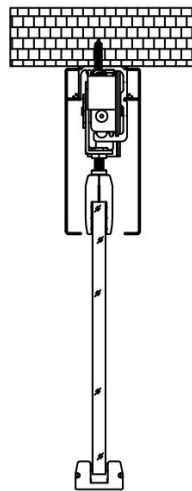
Wooden door top installation



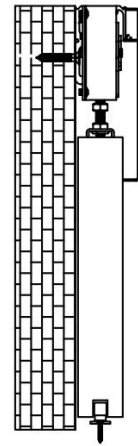
Deren Door Division



Glass door side installation



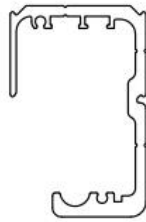
Glass door top installation



Wooden door side installation



G16B



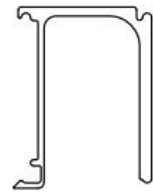
G16



G16C

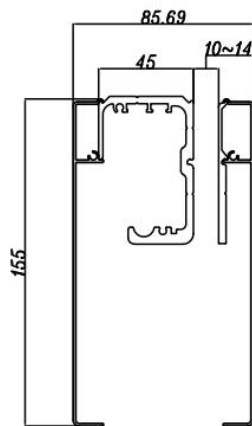


G09B

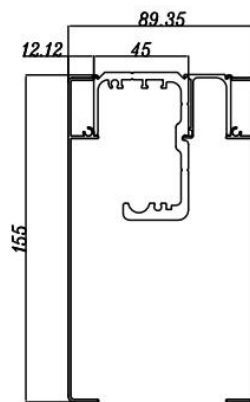


G09D

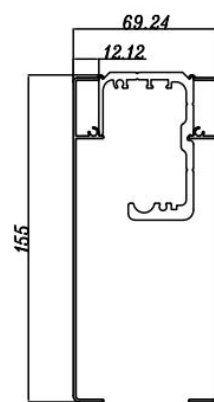
The combination of door profile:



① G16B,G16,G16C,G16B used
For glass door side mounting

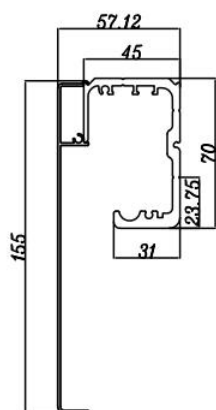


② G16B,G16&G16B used for glass door
top mounting.

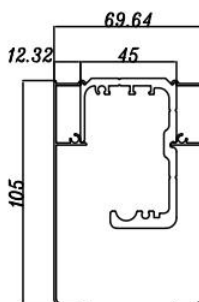


③ G16B,G16 &G16B used
for glass door top mounting

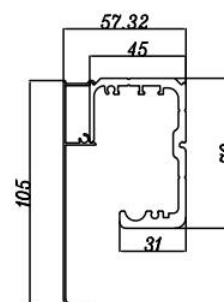
Deren Door Division



① G16B,G16 used for glass
door side mounting



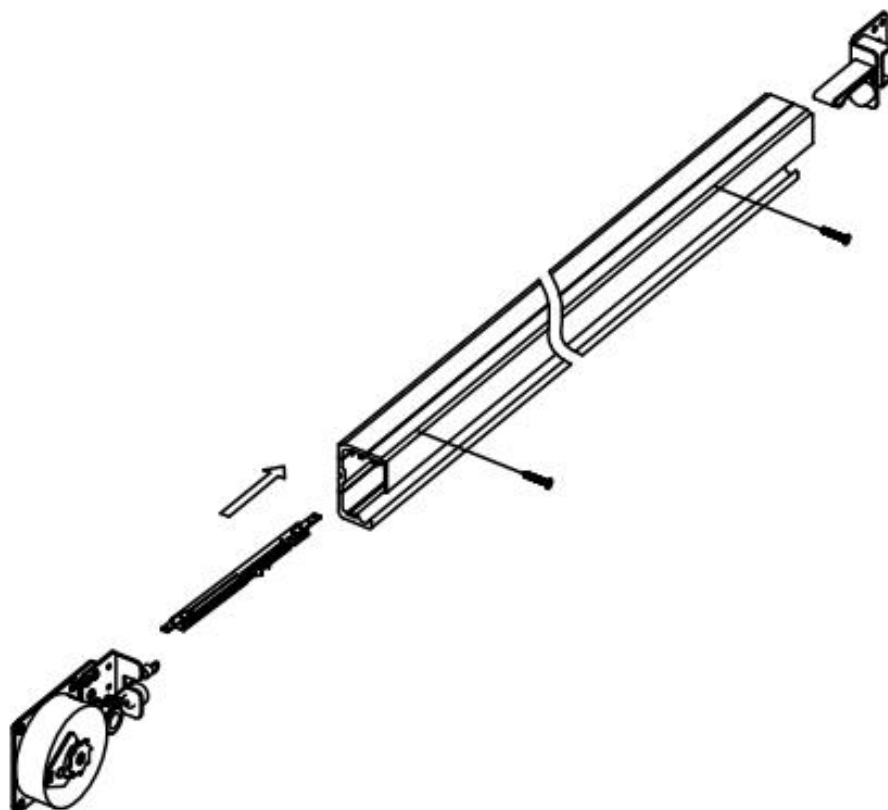
② G09B,G16 used for wooden
door top mounting.



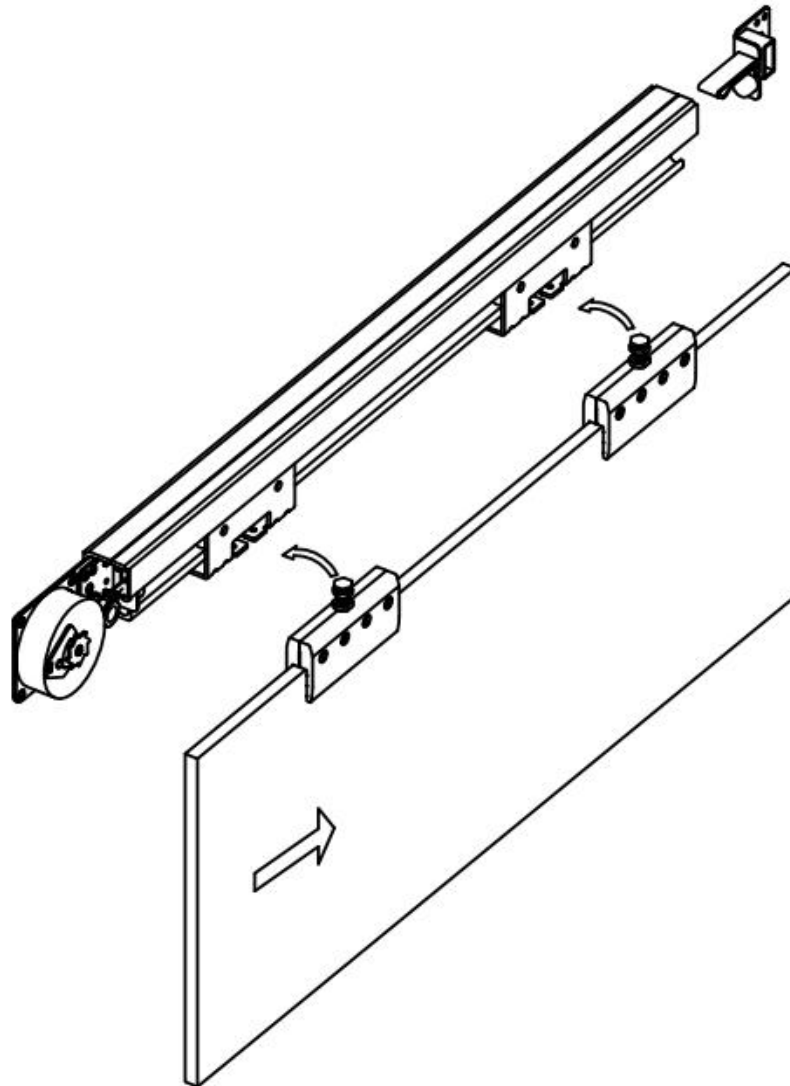
③ G09B,G16 used for wooden
door side mounting

Installation steps

- ① Confirm the opening direction of the door, set the door stopper,rack, the buffer into the door profile as below picture shows. Then set the driving spring box into the door profile and then fixed the aluminum rail.



- ② Set the one way gear according to the door opening direction.
- ③ Install the pulley into the rail according to door opening direction, make sure the clamp for the door is stably fixed to the door, and adjust the height of door.

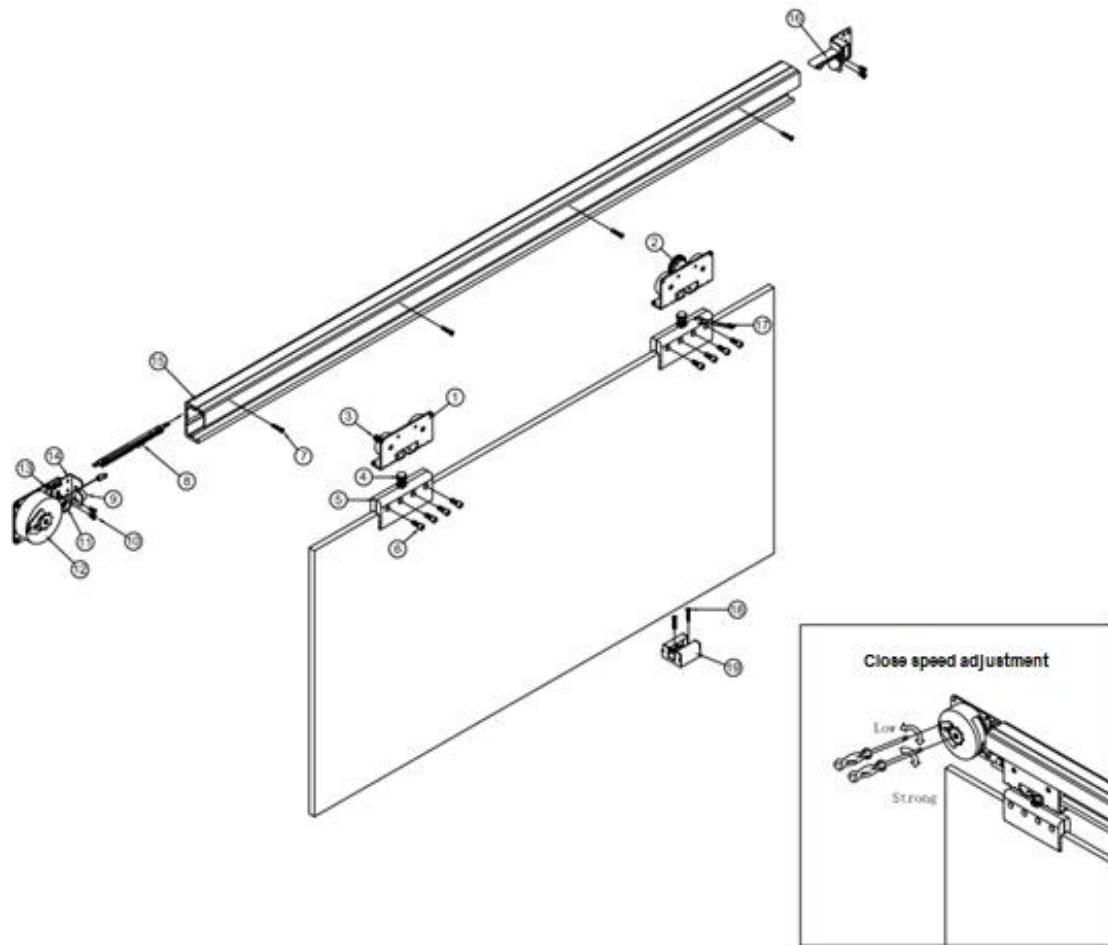


④ Install the floor guide

Glass door fittings specification

No.	Parts name	Qty.	Remark	No.	Parts name	Qty.	Remark
1	Wheel frame	1 set	Standard	10	Coil rotation	1pc	Standard
2	Brakes	1pc	Standard	11	Draw box	1pc	Standard
3	M5*20 screw	1pc	Standard	12	M5*5 screw	6pcs	Standard
4	M8*35 screw	2pcs	Standard	13	Fixed slice	1pc	Standard
5	Glass clamp	1set	Standard	14	Hangeing rails	1pc	Standard
6	M6*16 screw	8pcs	Standard	15	Stopper	1pc	Standard
7	Buffer damper	1pc	Options	16	Spanner	1pc	Standard
8	Impact proof plastic	2pcs	Standard	17	M3.5*25 screw	2pcs	Standard
9	M5*12 screw	3pcs	Standard	18	Floor guide	1pc	Standard

Deren Door Division



Wooden door fittings

No.	Parts name	Qty.	Remark	No.	Parts name	Qty.	Remark
1	Wheel frame	1 set	Standard	11	Draw box	1pc	Standard
2	Brakes	1pc	Standard	12	M5*5 screw	6pcs	Standard
3	M5*20 screw	1pc	Standard	13	Fixed slice	1pc	Standard
4	M8*35 screw	2pcs	Standard	14	Hangeing rails	1pc	Standard
5	Condole	1set	Standard	15	Stopper	1pc	Standard
6	M3.5*30 screw	8pcs	Standard	16	M5*30 screw	8pcs	Standard
7	Buffer damper	1pc	Options	17	Spanner	1pc	Standard
8	Impact proof plastic	2pcs	Standard	18	M3.5*25 screw	2pcs	Standard
9	M5*12 screw	3pcs	Standard	19	Floor guide	1pc	Standard
10	Coiling rotation	1pc	Standard				

Deren Door Division

